



**HAWAII HIGH SCHOOL ATHLETIC ASSOCIATION
GIRLS BASKETBALL STATE CHAMPIONSHIPS
FEBRUARY 14 - 19, 2022**

DIVISION I:

TBD School Sites (Feb. 14)
Moanalua & McKinley High Schools (Feb. 17, 18)
Neal Blaisdell Center (Feb. 19)

DIVISION II:

Kalani & Waipahu High Schools (Feb. 16 - 18)
Neal Blaisdell Center (Feb. 19)

HAWAII HIGH SCHOOL ATHLETIC ASSOCIATION
GIRLS BASKETBALL STATE CHAMPIONSHIPS
FEBRUARY 14 - 19, 2022

HAWAII HIGH SCHOOL ATHLETIC ASSOCIATION

Executive DirectorChris Chun
Associate Director..... Russell Aoki
Director of Information & Marketing.....Natalie Iwamoto
Girls Basketball CoordinatorMona Faasoa
Girls Basketball Assistant CoordinatorEddie Maruyama
Officials Co-CoordinatorsFrancis Aiu and Alton Mamiya

TOURNAMENT COMMITTEE

Host SchoolPeter Estomago, Pac-5
Site Directors Bob Morikuni, McKinley High School
..... Joel Kawachi, Moanalua High School
.....Greg Van Cantfort, Kalani High School
..... Stacie Nii, Waipahu High School
Big Island Interscholastic Federation Lyle Crozier, Executive Director
..... Hoku Haliniak, Coordinator
Interscholastic League of Honolulu.....Blane Gaison, Executive Director
..... Peter Estomago, Coordinator
Kauai Interscholastic Federation..... Erik Burkman, Executive Director
..... Kelii Morgado, Coordinator
Maui Interscholastic LeagueJoseph Balangitao, Executive Director
..... Jon Conrad, Coordinator
Oahu Interscholastic Association Raymond Fujino, Executive Director
.....Stacie Nii, Coordinator
Athletic Trainers OIA, ILH

SPECIAL THANKS

Heidi and Cook Pono Paahao, Vice President, Service
Neal Blaisdell Center Thomas Herman, Elizabeth Ishihara

**HAWAII HIGH SCHOOL ATHLETIC ASSOCIATION
GIRLS BASKETBALL STATE CHAMPIONSHIPS
FEBRUARY 14 - FEBRUARY 20, 2022**

TOURNAMENT INFORMATION

I. HHSAA GIRLS BASKETBALL REGULATIONS

HHSAA Girls Basketball Regulations may be found in the HHSAA Handbook section found in this packet.

II. ROSTERS: Due Wednesday, February 9, 2022, Noon

Schools with teams that have secured or are in contention for a tournament berth are required to submit team rosters via e-mail to roster@hhsaa.org

III. TOURNAMENT REPRESENTATION

Total number of berths for 2022 State Tournament as of 1/27/22. Visit www.sportshigh.com for current tournament representation.

	DIVISION I	DIVISION II
OIA	6	3
ILH	2	4
BIIF	2	3
MIL	2	1
KIF	0	1
TOTAL	12	12

IV. HEAD COACHES' MEETING

There will be NO pre-tournament coaches meeting. Information will be sent to head coaches via e-mail prior to the start of the tournament.

V. TOURNAMENT SCHEDULE

Division I:

Monday, February 14, 2022 (School Sites TBD)

Game #	TBD	First round game (ILH)
Game #	TBD	First round game (OIA)
Game #	TBD	First round game (MIL)
Game #	TBD	First round game (BIIF)

Thursday, February 17, 2022 (Moanalua H.S. / McKinley H.S.)

Game #5	5:00 p.m.	Quarterfinal game (Moanalua H.S.)
Game #6	7:00 p.m.	Quarterfinal game (Moanalua H.S.)
Game #7	5:00 p.m.	Quarterfinal game (McKinley H.S.)
Game #8	7:00 p.m.	Quarterfinal game (McKinley H.S.)

Friday, February 18, 2022 (Moanalua H.S. / McKinley H.S.)

Game # 9	5:00 p.m.	Consolation game (McKinley H.S.)
Game # 10	7:00 p.m.	Consolation game (McKinley H.S.)
Game # 11	5:00 p.m.	Semifinal game (Moanalua H.S.)
Game # 12	7:00 p.m.	Semifinal game (Moanalua H.S.)

Saturday, February 19, 2022 (Neal Blaisdell Center)

Game #13	9:00 a.m.	5 th Place Game
Game #14	1:00 p.m.	3 rd Place Game
Game #15	7:00 p.m.	Championship Game

Division II:

Wednesday, February 16, 2022 (Kalani H.S. / Waipahu H.S.)

Game #	5:00 p.m.	First round game (Kalani H.S.)
Game #	7:00 p.m.	First round game (Kalani H.S.)
Game #	5:00 p.m.	First round game (Waipahu H.S.)
Game #	7:00 p.m.	First round game (Waipahu H.S.)

Thursday, February 17, 2022 (Kalani H.S. / Waipahu H.S.)

Game #	3:30 p.m.	Consolation game (Waipahu H.S.)
Game #	5:00 p.m.	Quarterfinal game (Waipahu H.S.)
Game #	7:00 p.m.	Quarterfinal game (Waipahu H.S.)
Game #	3:30 p.m.	Consolation game (Kalani H.S.)
Game #	5:00 p.m.	Quarterfinal game (Kalani H.S.)
Game #	7:00 p.m.	Quarterfinal game (Kalani H.S.)

Friday, February 18, 2022 (Kalani H.S. / Waipahu H.S.)

Game #11	3:30 p.m.	9 th Place Game (Waipahu H.S.)
Game #	5:00 p.m.	Consolation game (Waipahu H.S.)
Game #	7:00 p.m.	Consolation game (Waipahu H.S.)
Game #	5:00 p.m.	Semifinal game (Kalani H.S.)
Game #	7:00 p.m.	Semifinal game (Kalani H.S.)

Saturday, February 19, 2022 (Neal Blaisdell Center)

Game #16	11:00 a.m.	5 th Place Game
Game #17	3:00 p.m.	3 rd Place Game
Game #18	5:00 p.m.	Championship Game

For both Divisions, the official time allotted between games (in the championship bracket) is 15 minutes. No game shall start before the established starting time.

VI. TOURNAMENT BALL

The official tournament ball is the Baden Perfection Elite

VII. UNIFORMS

Whenever the name of the school appears above the name of its opponent in the bracket pairing, that team is the home team and shall wear light uniforms. Whenever the name of a team appears below its opponent in the bracket pairing, that team is the visiting team and shall wear dark uniforms.

VIII. TOURNAMENT REGULATIONS

Player Bench Occupants:

During a contest, the player-bench may be occupied by eligible substitutes, coaches, faculty representative, bona fide team managers, team statisticians, scorekeeper and team trainer or physician.

Only one team scorekeeper may sit on the tournament official's table at any one time.

Locker Room:

Coaches are requested to inform their athletes of the importance of appropriate conduct and behavior in the locker room. Schools and students will be charged for any damages incurred by them in the locker room.

Use of Floor between Halftime of Tournament Games:

The tournament site manager(s) shall be responsible to see that basket shooting shall not be permitted between halves of tournament games, except for the few minutes required by each team to warm-up prior to the start of the second half.

Cheerleading advisors should check with the Tournament Director for use of the floor during halftime and between games.

IX. PRACTICE SESSIONS PRIOR TO TOURNAMENT GAMES

There will be no practice time allotted to any team in the state tournament at any of the state tournament venues.

X. CODE-OF-CONDUCT

The coach shall have direct responsibility for the conduct of team members prior to, during and after tournament competition (in the hotel, in public, at the tournament, transportation to and from sites).

The HHSAA Executive Director may establish a common curfew hour, as necessary.

The drinking of alcoholic beverages, smoking, drug use, and loud, unruly or destructive behavior will not be tolerated.

Coaches are requested to inform their athletes of hotel rules and regulations. Please emphasize the importance of appropriate conduct and behavior and consideration for other hotel guests. Schools and students will be charged for any damages incurred by them at the hotel.

It is recommended that schools inform parents regarding Code-of-Conduct in writing.

XI. STATE TOURNAMENT DISQUALIFICATION RULE

Any student-athlete or coach disqualified before, during, or after a state tournament game/match/event for unsportsmanlike conduct, flagrant verbal misconduct, or flagrant physical misconduct shall be disqualified from his/her next scheduled state tournament game/match/event for that sport. The student-athlete or coach has the right to appeal any such disqualification to an appeals committee for the particular sport. Should a student-athlete or coach be disqualified from the final state tournament game/match/event for that sport, said disqualification shall NOT carry over to the following school year's state tournament for that sport. Instead, the student-athlete's or coach's league shall determine any appropriate penalty or sanction.



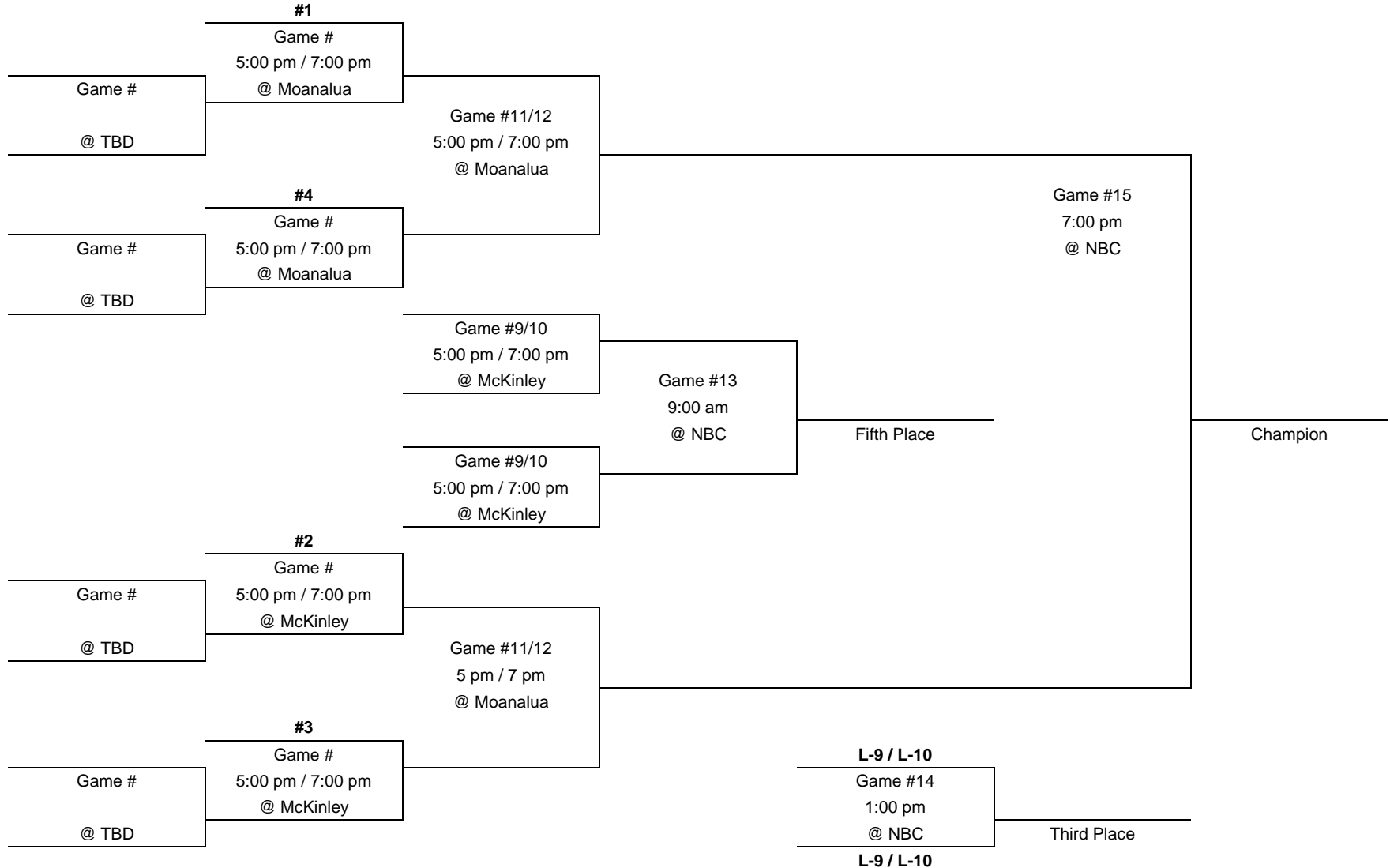
HEIDE & COOK
GIRLS BASKETBALL STATE CHAMPIONSHIPS
DIVISION I BRACKET
FEBRUARY 14-19, 2022

Monday
Feb. 14

Thursday
Feb. 17

Friday
Feb. 18

Saturday
Feb. 19



BASKETBALL

I. SPECIFIC OBJECTIVES

- A. To determine the state champion for basketball through tournament competition.
- B. To recognize the combined efforts of all the participating teams and schools in the tournament.
- C. To promote and encourage the highest principles of citizenship and positive behavior in tournament competition.
- D. To promote the highest principles of good citizenship in tournament competitions.

II. OFFICIALS

A. Qualifications and Requirements

- 1. Evidence of having passed the National Federation Basketball Officials' tests.
- 2. Recommended and approved by their respective leagues.
- 3. Game officials shall wear the standard black and white vertically striped uniform shirt and worn inside the trousers.
- 4. All state tournament officials/umpires shall wear uniforms in accordance with their sport's NFHS rules/guidelines/recommendations. In the absence of any NFHS rules/guidelines/recommendations, the sport's HHSAA Sport Coordinator shall have the final say as to the appropriateness of a state tournament official's/umpire's uniform.
- 5. The HHSAA Executive Director, Sport Coordinator and Selection Committee shall review the names recommended by the leagues and make the appropriate selections as needed for the State Tournament format.

B. Selection and Assignment

- 1. The selection of game officials shall be made by the Sport Coordinator and Officials Selection Committee. Alternates shall be appointed for each game. The Sport Coordinator shall serve as the chairperson of the Selection Committee.
- 2. Game officials and coaches are requested to meet with the Sport Coordinator prior to the tournament for a briefing regarding the Tournament format.
- 3. Leagues may request that an official be selected for the tournament. However, if selected, leagues shall be responsible for the official's expenses to the tournament.

C. Officials Compensation

- 1. Officials shall be compensated based on HHSAA rates.

III. ELIGIBILITY (SEE HHSAA HANDBOOK)

IV. RULES GOVERNING TOURNAMENT

- A. National Federation Basketball Rules shall prevail, with HHSAA modification as needed.
- B. "Pain Killing" injections that are used for the purpose of participation shall not be administered to student-athletes at the game or sites during HHSAA tournament events.

- C. Any student-athlete or coach disqualified before, during or after a state tournament game/match/event for unsportsmanlike conduct, flagrant verbal misconduct, or flagrant physical misconduct shall be disqualified from his/her next scheduled state tournament game/match/event for that sport. The student-athlete or coach has the right to appeal any such disqualification to an appeals committee for the particular sport. Should a student-athlete or coach be disqualified from the final state tournament game/match/event for that sport, said disqualification shall NOT carry over to the following school year's state tournament for that sport. Instead, the student-athletes or coaches league shall determine any appropriate penalty or sanction. (Rev. 06/2013)

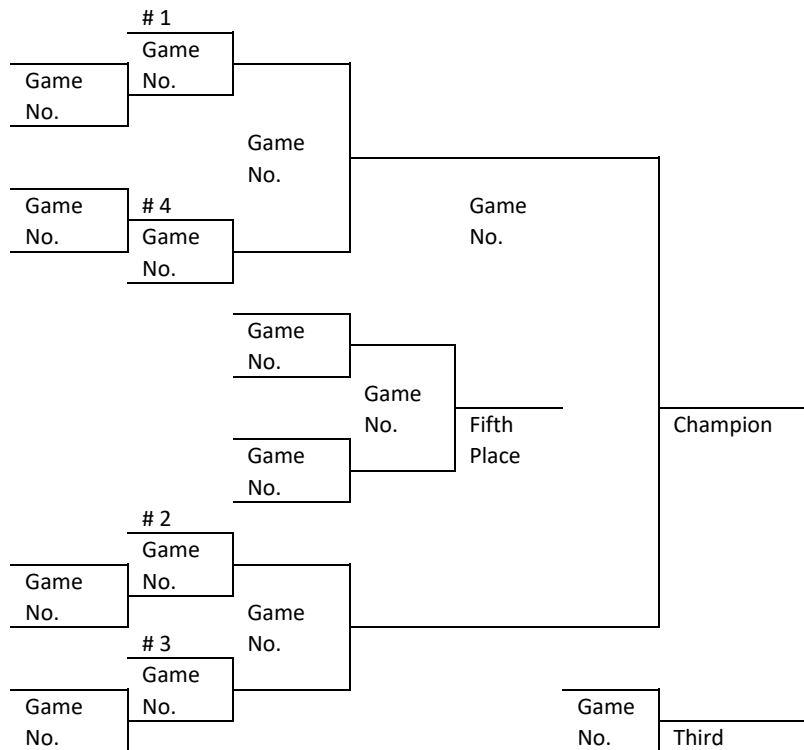
V. TOURNAMENT REPRESENTATION

- A. Number of Participating Teams in League _____ X Number of Teams in State Tournament
Number of Participating Teams in State
- B. Pac-Five teams are eligible to participate in the following HHSAA state tournaments: baseball, canoe paddling, cheerleading, football, soccer, softball, and girls water polo.
- C. For team-only state tournaments, a combination team shall be counted in the league representation formula as long as one of the schools in the combination team has a minimum number of players, as follows:

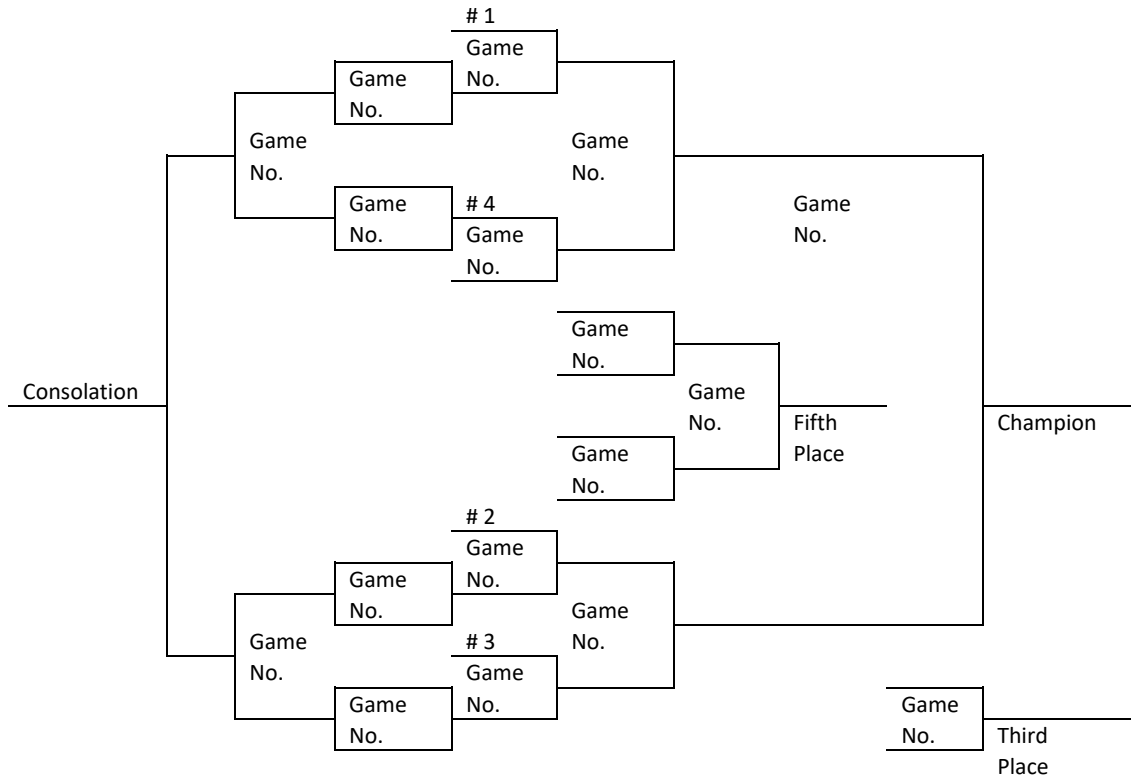
Volleyball – 6, Football – 11, Softball – 9, Soccer – 11, Basketball – 5, Baseball – 9, Canoe Paddling – 6, Water Polo – 7
- D. For team-only state tournaments, if a combination team qualifies for a state tournament, only players from one of the schools with the above-listed minimum number shall be allowed to participate in the state tournament.

VI. TOURNAMENT FORMAT

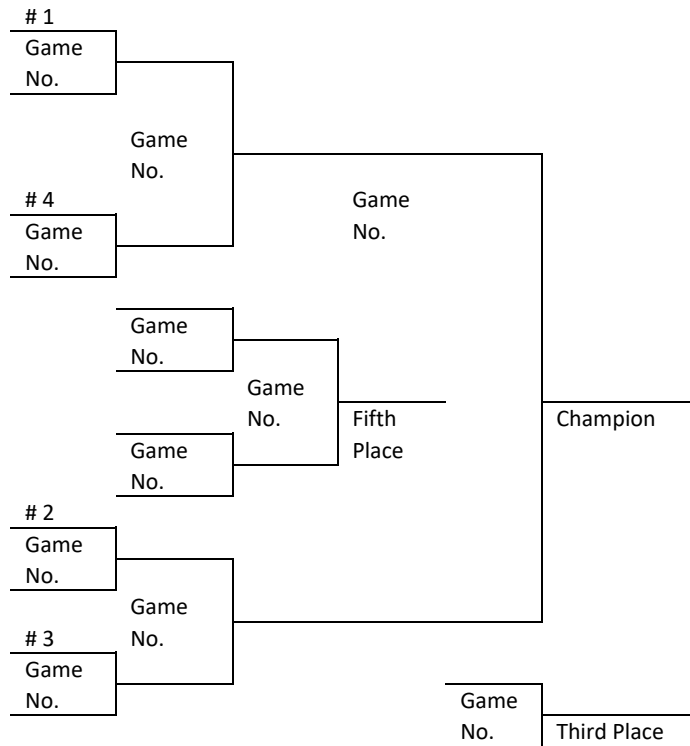
A. BOYS AND GIRLS DIVISION I



B. GIRLS DIVISION II



C. BOYS DIVISION II



VII. SIZE OF TEAM IN TOURNAMENT

Schools may bring an unlimited number and players accompanied by authorized coaches. Names of coaches and players must be listed on the official tournament roster.

VIII. SEEDING/PAIRING

(Rev. 6/2012)

- A. Seeding/Pairings shall be done by the Tournament Seeding/Pairing Committee.
 - 1. HHSAA Executive Director, Chairperson
 - 2. Sport Coordinators
 - 3. Tournament Director
 - 4. Others as selected by the Sport Coordinator
- B. Seed the league champions.
- C. Place the league's 2nd representative in the opposite half bracket based on league champion's seed. EXAMPLE: The state's top seeded league will place their 2nd representative in the same quarter bracket as the state's 3rd seed.)
- D. Place the league's 3rd representative in the opposite quarter bracket of the league's 2nd representative.
- E. Place the league's 4th representative in the same half bracket opposite quarter bracket from league champion.
- F. Place the league's 5th representative in the same quarter bracket as the league champion. If the bracket is full, place the 5th representative in the last remaining open slot.
- G. Place the league's 6th representative in the only remaining slot.

IX. TOURNAMENT REGULATIONS

- A. Player Bench Occupants
 - 1. During a contest, the player-bench may be occupied by eligible substitutes, coaches, faculty representative, bona fide team managers, team statisticians, scorekeeper and team trainer or physician.
 - 2. Only one team scorekeeper may sit on the tournament officials' table at any one time.
- B. Identifying Apparel for Scorekeeper and Timer

It is recommended that the official scorekeeper and official timer wear identifying apparel and that their location be clearly determined.
- C. Admission for Players, Cheerleaders and Press Representatives
 - 1. All players and coaches participating in the tournament may be admitted to the tournament games. Rather than furnishing tickets, a checklist will be used for admittance. All players and their coaches shall enter the through the Pass Gate. Players must be accompanied by their coaches for admittance.
 - 2. Cheerleaders in uniform and whose names have been submitted on the Cheerleaders Roster may be admitted to the games in which their teams are participating. All cheerleaders and their coaches shall enter through the Pass Gate. Cheerleaders must be accompanied by their coaches for admittance.
 - 3. An area for press representatives may be provided, but it must be away from the officials' table.
- D. Use of Floor between Half-time of Tournament Games

The tournament site manager(s) shall be responsible to see that basket shooting shall not be permitted between halves of tournament games, except for the few minutes required by each team to warm-up prior to the start of the second half.

- E. The cutting of the net is permitted if it is made as part of the closing ceremony.
- F. When both genders and divisions are hosted on Oahu have the same schedule format and facility use days at the Stan Sheriff and/or Neal S. Blaisdell Center when available. *(Adopted 6/2016)*

X. TOURNAMENT BALL

The tournament ball shall be the Baden Perfection Elite.

XI. UNIFORMS

- A. Whenever the name of a school appears above the name of its opponent in the bracket pairing, that team shall wear light uniforms. Whenever the name of a team appears below its opponent's in the bracket, that team shall wear dark uniforms.
- B. Beginning with the 2001-02 school year, each team participating in the football, soccer, and basketball state tournaments, shall bring to the state tournament both light and dark sets of uniforms. If a team violates this rule, they shall be subject to a penalty to be determined by the particular sport's HHSAA Sports Coordinator.

XII. AWARDS AND TROPHIES

- A. Permanent trophies to Championship and Runner-up teams.
- B. 16 gold medals for Championship team.
- C. 16 silver medals for Runner-up team.
- D. Game ball to Championship team. If two balls are available, the runner-up team shall receive the second ball.
- E. Additional medals may be requested at school's own expense.

XIII. EVALUATION

An evaluation report and tournament results shall be submitted by the Sport Coordinator to the HHSAA Executive Director within two weeks after the tournament.

XIV. ADMISSION

High School Sites

Adults	\$9.00
Senior Citizens (62 and over)	\$5.00
Students (Grades K-12)	\$5.00

Stan Sheriff Center or Blaisdell Arena (+ \$.50 service fee)

Adults	\$9.00
Senior Citizens (62 and over)	\$5.00
Students (Grades K-12)	\$5.00



Hawaii High School Athletic Association

- P.O. Box 11419 • HONOLULU, HAWAII 96828 •
- PHONE: (808) 800-4092
- www.sportshigh.com - info@hhsaa.org •

**2022 HEIDI & COOK / HHSAA GIRLS BASKETBALL
SOUVENIR T-SHIRT PRE-ORDER FORM**

_____ School requests to order the following sizes of the souvenir Drifit T-shirts at \$20.00 per shirt.

Size	Quantity	Price	Total
Small		\$20.00	
Medium		\$20.00	
Large		\$20.00	
X-Large		\$20.00	
XX-Large		\$20.00	
		GRAND TOTAL	

Email preorders to your respective host (see below) school. Checks payable to HHSAA may be brought to the tournament site of teams first game. **Note: preorders must be paid in full by first day of the tournament or shirts will be released to the general public.**

DIVISION I & DIVISION 2:

Russell Aoki - HHSAA
E-mail: aoki@hhsaa.org

Contact person: _____

Daytime phone: _____

Email Address: _____

HHSAA GIRLS BASKETBALL CHAMPIONS AND SEMIFINALISTS						
YEAR	CHAMPION	LEAGUE	HEAD COACH	RUNNER-UP	THIRD PLACE	FOURTH PLACE
1977	Maryknoll	ILH	Russell Dung	Punahou	Kamehameha	Waianae
1978	Maryknoll	ILH	Russell Dung	Kalaheo	Waipahu	Kohala
1979	Punahou	ILH	Robin Durand	University	Kalaheo	Moanalua
1980	Punahou	ILH	Robin Durand	University	Kahuku	Leilehua
1981	Punahou	ILH	Robin Durand	University	Roosevelt	Waipahu
1982	University	ILH	Larry Kanda	Punahou	Roosevelt	Waianae
1983	Kahuku	OIA	Harry Kahuanui	University	Radford	Kamehameha
1984	University	ILH	Nelson Yoshioka	Kamehameha	Roosevelt	Waianae
1985	Waiakea	BIIF	Gilbert Tomas	Kahuku	Roosevelt	Farrington
1986	Waiakea	BIIF	Gilbert Tomas	Farrington	Kahuku	Iolani
1987	Iolani	ILH	Calvin Hashimoto	Maryknoll	Aiea	Farrington
1988	Kamehameha	ILH	Al Apo	Waiakea	Iolani	Maryknoll
1989	Iolani	ILH	Bernie Ching	Kamehameha	Kaiser	Kahuku
1990	Kamehameha	ILH	Al Apo	Iolani	Hilo	Farrington
1991	Kamehameha	ILH	Al Apo	University	Radford	Moanalua
1992	Kamehameha	ILH	Al Apo	Moanalua	Honokaa	Radford
1993	Kamehameha	ILH	Al Apo	Iolani	Moanalua	Waiakea
1994	Punahou	ILH	Shelley Kahuanui Fey	Iolani	Moanalua	Kahuku
1995	Iolani	ILH	Bernie Ching	Kamehameha	Punahou	McKinley
1996	Iolani	ILH	Bernie Ching	Kamehameha	McKinley	Radford
1997	Punahou	ILH	Shelley Kahuanui Fey	Honokaa	McKinley	Kalaheo
1998	Punahou	ILH	Shelley Kahuanui Fey	Kalaheo	Waiakea	Baldwin
1999	Kamehameha	ILH	Clay Cockett	Punahou	Kalaheo	Waiakea
2000	Kamehameha	ILH	Clay Cockett	Kalaheo	Punahou	Mid-Pacific
2001	Aiea	OIA	Fran Villarmia-Kahawai	Kalaheo	(none)	(none)
2002	Kamehameha	ILH	Clay Cockett	Punahou	Iolani	Kahuku
2003	Punahou	ILH	Mike Taylor	Kahuku	Moanalua	Farrington

DIVISION I CHAMPIONS AND SEMIFINALISTS						
YEAR	CHAMPION	LEAGUE	HEAD COACH	RUNNER-UP	THIRD PLACE	FOURTH PLACE
2004	Konawaena	BIIF	Bobbie Awa	Kahuku	Punahou	Baldwin
2005	Punahou	ILH	Mike Taylor	Konawaena	Honoka`a	Kahuku
2006	Punahou	ILH	Mike Taylor	Roosevelt	Honoka`a	Konawaena
2007	Konawaena	BIIF	Bobbie Awa	Punahou	Honokaa	Iolani
2008	Punahou	ILH	Mike Taylor	Iolani	Radford	Waiakea
2009	Konawaena	BIIF	Bobbie Awa	Punahou	Lahainaluna	Farrington
2010	Lahainaluna	MIL	Todd Rickard	Konawaena	Punahou	Iolani
2011	Konawaena	BIIF	Bobbie Awa	Punahou	Iolani	Lahainaluna
2012	Konawaena	BIIF	Bobbie Awa	Iolani	Kahuku	Lahainaluna
2013	Kamehameha	ILH	Darold Imanaka	Konawaena	Hilo	Iolani
2014	Punahou	ILH	Kevin Velasco	Lahainaluna	Milliani	Hilo
2015	Konawaena	BIIF	Bobbie Awa	Lahainaluna	Maryknoll	Roosevelt
2016	Konawaena	BIIF	Bobbie Awa	Maryknoll	Lahainaluna	Kaiser
2017	Konawaena	BIIF	Bobbie Awa	Maryknoll	Kamehameha	Lahainaluna
2018	Konawaena	BIIF	Bobbie Awa	Maryknoll	Lahainaluna	Waiakea
2019	Iolani	ILH	Dean Young	KS-Kapalama	Konawaena	Kalani
2020	Iolani	ILH	Dean Young	Konawaena	Waiakea	Kahuku
2021	No State Tourney					

DIVISION II CHAMPIONS AND SEMIFINALISTS						
YEAR	CHAMPION	LEAGUE	HEAD COACH	RUNNER-UP	THIRD PLACE	FOURTH PLACE
2004	Roosevelt	OIA	Bobby Keanini	St. Andrew's	St. Joseph	St. Anthony
2005	KS-Hawaii	BIIF	Kimo Miller	St. Francis	Seabury	Kalani
2006	Kalani	OIA	Darold Imanaka	KS-Hawaii	St. Francis	LaPietra
2007	KS-Hawaii	BIIF	Kalani Silva	Sacred Hearts	McKinley	Campbell
2008	Campbell	OIA	Nathan Macadangdang	McKinley	Kailua	Molokai
2009	Molokai	MIL	Doug Furlong	KS-Hawaii	Kaimuki	Kapaa
2010	Kaimuki	OIA	Mona Fa'asoa	Molokai	Kahuku	Kapaa
2011	Radford	OIA	Tani Almont-Done	KS-Hawaii	Maryknoll	Kapaa

2012	KS-Hawaii	BIF	Garrett Arima	Kauai	Maryknoll	Hawaii Prep
2013	KS-Hawaii	BIF	Garrett Arima	Honokaa	Kauai	Hanalani
2014	Honokaa	BIF	Daphne Honma	KS-Hawaii	Hawaii Baptist	Molokai
2015	Honokaa	BIF	Daphne Honma	Hawaii Baptist	KS-Hawaii	University
2016	Hawaii Baptist	ILH	Keith Sugiura	KS-Hawaii	Mid-Pacific	Kohala
2017	Mid Pacific	ILH	Sherice Ajifu	KS-Hawaii	Kalani	Saint Francis
2018	KS-Hawaii	BIF	Weston Willard	St. Francis	Roosevelt	Honokaa
2019	Hawaii Baptist	ILH	Robin Yamaguchi	Seabury Hall	Waimea	Hanalani
2020	Hanalani	ILH	Charles Hiers	Mid-Pacific	Hawaii Baptist	KS-Hawaii
2021	No State Tourney					